

## Kumwell Exothermic Welding

Brand .....Kumwell

### Description

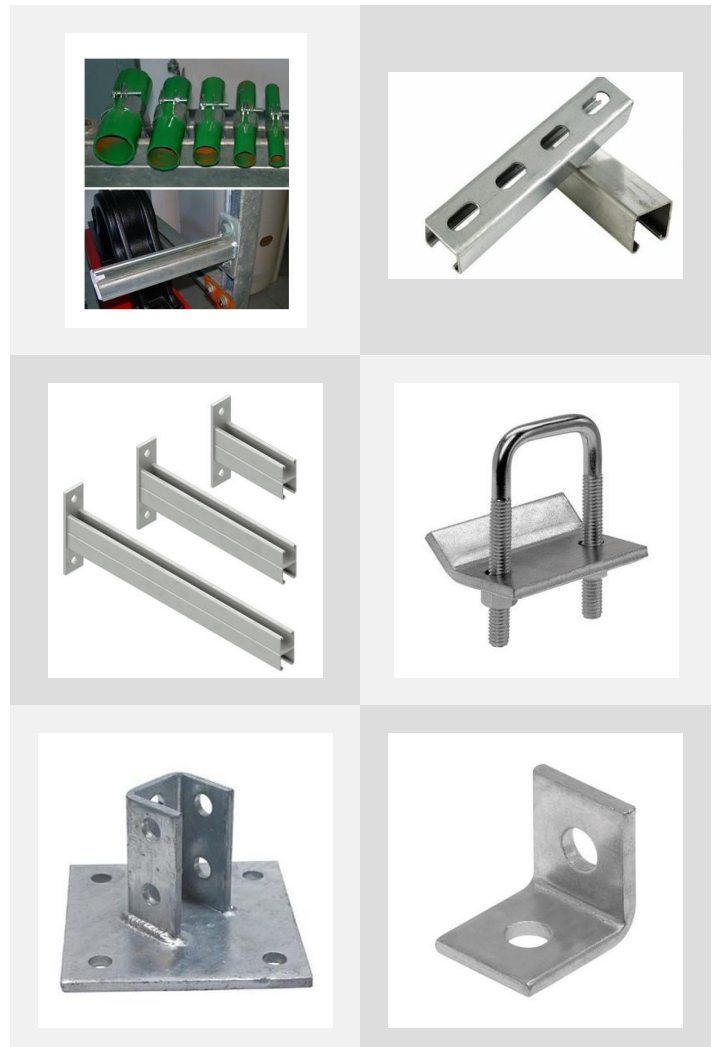
Kumwell exothermic welding connections have been tested, inspected and qualified for successfully meeting qualifications and international reliable standards of UL 467 - Standard for Grounding and Bonding Equipment, IEEE 837 - Standard for Qualifying Permanent Connections used in substation grounding, IEC 62561-1:2012 Lightning Protection Systems Component (LPSC) for Connection Components and ISO 9001:2008 Quality Management System.

In addition, Kumwell emphasizes on product safety with our exothermic welding process. For the starting and weld metal powder, we ensure that the material contains non-toxic, heavy metal, and non-self-ignite. Also when heated the weld metal powder for bonding connections, it gives steady burn without pop and fire out, consistency of color, no slag and porosity.

## Strut Channels And Accessories

### Description

Strut channel is a rail-like channel that makes installations faster and allowing adjustments without dismantling the whole support system. There is no need to drill holes and welding like conventional methods that will weaken the brackets. The flexibility of using a strut channel makes it a perfect and neat solution for electrical and mechanical supports and framing.





## Pear Band Pipe Hanger

### Description

This is a one-piece band for clamping of British Standards PVC and Steel Pipes :

Pipes Size Range - 26.9mm ~ 273.4mm

## Beam Clamp & Trunking Bracket

### Description

Beam Clamp is easy and quick to install on angle bar, C-channel, purlin and I-Beam. It is very safe to use without damaging steel properties. ([hellerman.com.my/beamclamps.htm](http://hellerman.com.my/beamclamps.htm))

Trunking Bracket is quick and easy installation. Best recommended for cable trays and trunking support. Non-standard bracket can be fabricated subjected to quantity. ([hellerman.com.my/trunkingbrackets.htm](http://hellerman.com.my/trunkingbrackets.htm))



## Purlin Hanger

### Description

RH-30 is the ultimate purlin hanger that safely allows you to fasten onto the roofing purlins from the ground or services level. Working at high levels involves expensive & approved scaffoldings and to move the scaffold at site condition isn't an easy job too.

([hellerman.com.my/purlin.htm](http://hellerman.com.my/purlin.htm))

## HK type Conduit & Beam Clamp

### Description

HK type beam clamp quick and easy installation. Enable clamping to steel structures up to 34mm thick. Various versions to cater to different usages. Conduit clip fits into all sizes of HK type beam clamp, either side or bottom mount or both.

[hellerman.com.my/pipeconduit.htm](http://hellerman.com.my/pipeconduit.htm)



## MHB - Beam Clamp (Rod Hanger)

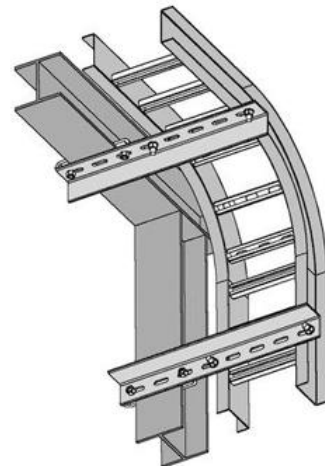
### Description

MHB beam clamp is easy and quick to install on angle bars, c-channels, purlins and I-beams. It is very safe to use without damaging any steel properties. MHB is designed to safely carry up to 200kgs. of static load with a safety factor of 1:5.

## Slotted Angle Bar

### Description

The HSA Slotted Angle meets the requirement of No Drilling & fully galvanised support brackets and it is able to take heavy load. As the slots are elongated, it allows adjustments fast and easy. It is also a perfect solution for building a heavy-duty rack. It does not require any weldings to safely assemble support systems and metal framings, so that it can be disassemble later





## Electrical Cable Clamps & Trefoil Cleats

### Description

Our electrical cable clamps and cleats are supplied to Power Generation and Electrical Utility industries. These range comprise of few designs catering to different specifications called for. And different materials to suit different environments.

### Hellerman Letrik Sdn. Bhd.

*Lot No. 3, Jalan Industri Batu Caves 1/4, Taman Perindustrian Batu Caves, 68100, Batu Caves, Selangor, Malaysia*

Tel.....03-6185 8211

Fax.....03-6185 8212

E-Mail.....sales@hellerman.com.my

E-Mail.....kkloh@hellerman.com.my

Website.....www.hellerman.com.my

Hellerman Letrik Sdn. Bhd.